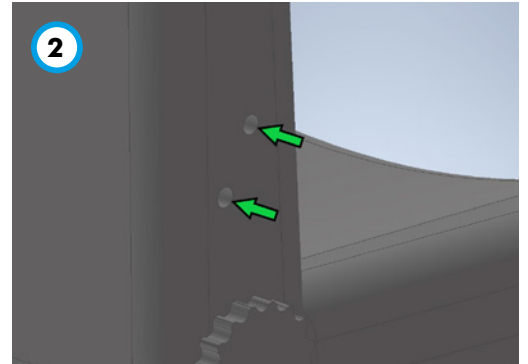


SEAT ARM REST

Step 1:
Locate the screw holes under the seat cover... on the side of the seat by feeling with your finger.

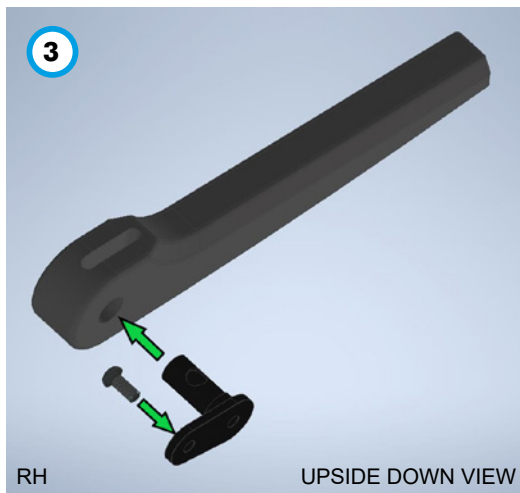


Step 2:
With a sharp pointing tool, carefully make two holes through the seat cover, carefully make two small crosswise cuts within the hole diameter.



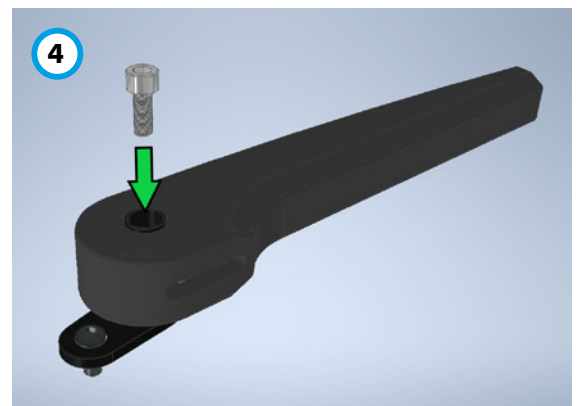
Sitting Position
SEAT LEFT ARMREST

Sitting Position
SEAT RIGHT ARMREST

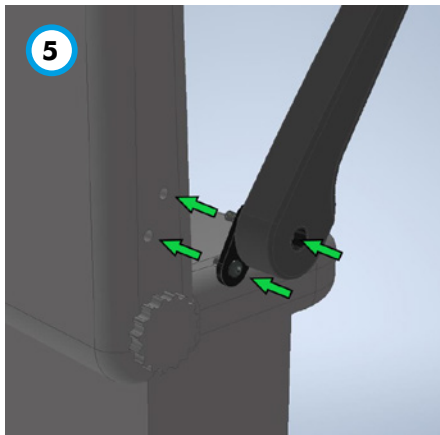


Step 3: To assemble the armrest(s)
Determine which side is needed and follow instructions by inserting the screw first than sliding the anchor bracket into the armrest body side hole.

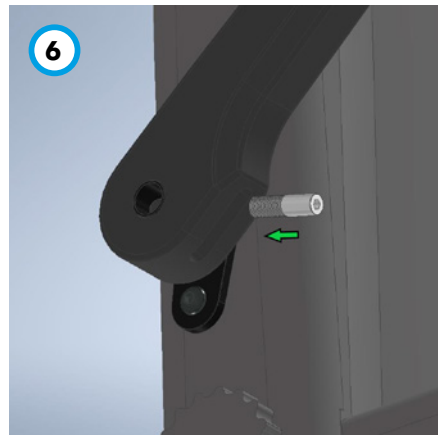
Step 4:
Insert bolt in the armrest side hole making sure it drops all the way through the bracket.



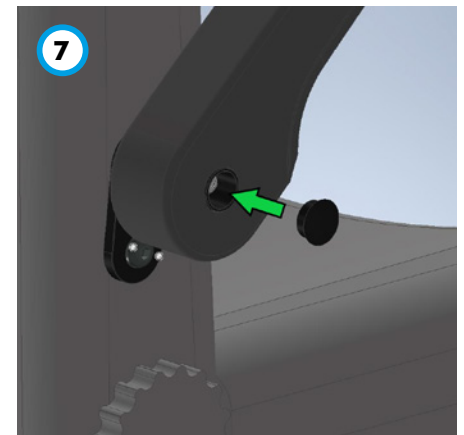
SEAT ARM REST



Step 5:
Insert and tighten both screws.



Step 6:
Insert locking screw into the slot
on the armrest and tighten it.



Step 7:
Insert plastic cap covering the side
hole and press it.

NOTE: We recommend using low to medium strength thread lock on the mounting screws/bolts.

NORTH AMERICA

AMF-Bruns of America
1797 Georgetown Road
Hudson · OH 44236
Phone: 1 877-506-3770
EM: info@amfbrunsamerica.com
WEB: www.amfbrunsamerica.com

GERMANY / EUROPE

AMF-Bruns GmbH & Co. KG
Hauptstraße 101
D-26689 Apen
Phone: +49 44 89 72 71 01
EM: hubmatik@amf-bruns.de
WEB: www.amf-bruns.de

ASIA

Smartfloor Seating (Thailand) Co.
Kunwang Place 165/86
T.: Sanprapao A.: Sansai
Chiang Mai 50210 Thailand
Phone: +66 81 381 5207
EM: info@smartfloor.nl

MIDDLE EAST & NORTH AFRICA

AMF-Bruns MENA
Bisco FZCO · Silicon Oasis
LIU4 Units C8 & C9 · Dubai
Phone +971 4 3207123
EM: mena-office@amf-bruns.ae
WEB: www.amf-bruns.ae

SOUTH AFRICA

AMF-Bruns South Africa
Shoprider
92 Jakaranda Street
Unit # 13 Dimond Park
Hennospark · CENTURION
Phone +27 12 653 1168
EM: info@amf-bruns.co.za
WEB: www.amf-bruns.co.za

UNITED KINGDOM

AMF-Bruns UK LTD
Unit 3, Parkway Four
Longbridge Road
Trafford Park
Manchester · M17 1SW
Phone: +44 161 872 7951
EM: hubmatik@amf-bruns.de
WEB: www.amf-bruns.com

NETHERLANDS, BELGIUM AND LUXEMBOURG

SMARTFLOOR B.V.
Bedrijvenpark Twente 415
7602 KM Almelo
Nederland
Phone: +31 546 45 55 65
EM: info@smartfloor.nl
WEB: www.smartfloor.nl

**The Global Leader In Wheelchair
Securement and Occupant Restraints
Since 1958.**



SMARTFLOOR B.V. | Bedrijvenpark Twente 415 | 7602 KM Almelo
Telefoon : +31 546 45 55 65 | www.smartfloor.nl

Member of
AMF-Bruns group

