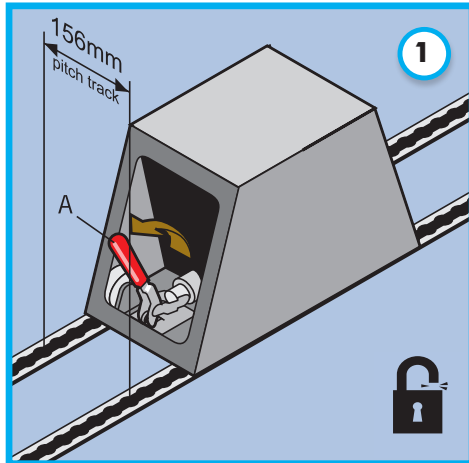
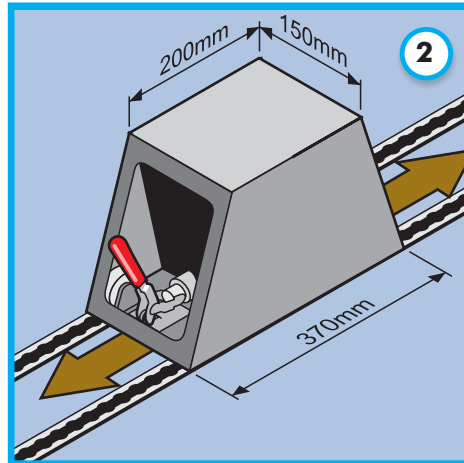


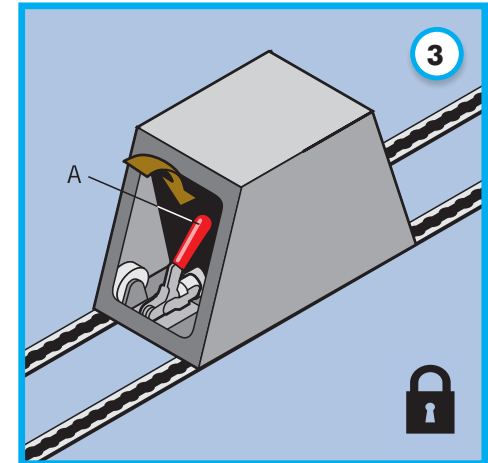
## Unlocking, sliding and securing Safebase. Suitable for swivel seats.



To unlock the Safebase to slide on the floor tracking, pull clamp handle A away from the Safebase.



Slide along the floor tracking to any position and stop in your required location.



Clamp Safebase in position by pushing clamp handle forwards into the Safebase. The Safebase is now locked.

To be operated by trained personnel only